

**DEVELOP**

Dynamic balance

## Product Guide



**ineo<sup>+</sup> 3110**

17.07.14

# Product Guide ineo<sup>+</sup> 3110

---

Since changes in technical features may occur, please note that the technical data provided in this Product Guide was issued in July 2014. We reserve the right to make changes to the technical design. Specifications refer to maximum performance under standard conditions. No guarantee is provided in relation to any of the data supplied.

**Table of contents**

Product Basics.....4

System Dimensions .....5

System Configuration .....6

System Specifications.....7

Copier Specifications ..... 10

Printer Specifications ..... 12

Scanner Specifications ..... 14

Fax Specifications (optional)..... 15

Consumables..... 16

Article numbers and compatibility..... 17

Documentation ..... 19

Recommended Media.....21

Appendix .....22

# Product Guide ineo+ 3110

## Product Basics

<b>MODEL NAME</b>	<b>ineo+ 3110</b>	
<b>MODEL DEVELOPMENT CODE</b>	Citrine-S AIO	
<b>SUCCESSOR MODEL FOR</b>	ineo+ 25	
<b>ALSO AVAILABLE AS</b>	DEVELOP ineo+ 3110	
	Olivetti d-Color 3100	
<b>ESTIMATED SALES START</b>	08/2014	
<b>INFOSOURCE SEGMENT</b>	Colour A4 segment IV (30-49 ppm)	
<b>RECOMMENDED MONTHLY PAGE VOLUME</b>	6,500	
<b>EXPECTED MONTHLY PAGE VOLUME (COLOUR/MONO)</b>	500 / 2,000	
<b>MAXIMUM MONTHLY PAGE VOLUME</b>	120,000 (If the maximum volume is reached within a period of one year, then a maintenance cycle must be performed.)	
<b>MACHINE LIFE</b>	400,000 or 5 years (whichever comes first)	
<b>MCBF (Mean Copies Between Failure)</b>	Total Colour Mono	24,716 14,500 30,000
<b>MCBJ (Mean Copies Between Jam)</b>	≥ 5,000 (with standard paper)	
<b>STANDARD COPY MODE (MONO &amp; COLOUR)</b>	3 pages/job	
<b>STANDARD ORIGINAL DENSITY</b>	5% Mono & Colour	
<b>SAFETY &amp; ENVIRONMENT</b>	Downloadable in the dbox: dbox/Support/CS Expert Support (CSES)/Download / KNOVA Self Service (OCP) / Select the Product...	

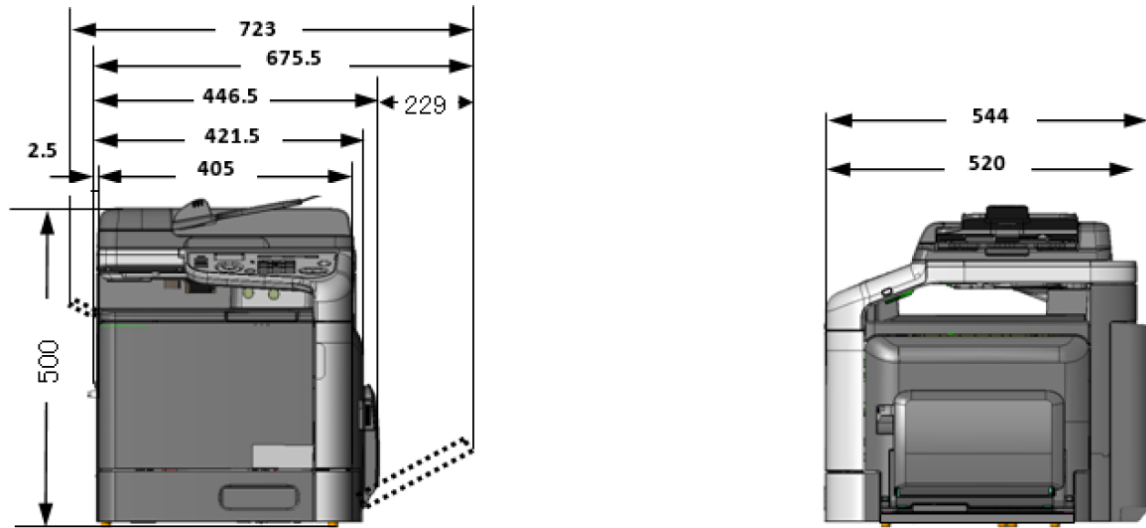
### PLEASE NOTICE

Standard paper weight for systems is 80 g/m<sup>2</sup> for monochrome machines and 90 g/m<sup>2</sup> for full colour machines. Since using these standards result in optimum system performance, all specifications on performance, reliability, maintenance and replacement based on those standard papers. Using thick papers, labels, transfer and polyester films continuously can increase the wear and tear on replacement parts and consumables – meaning your servicing costs will go up. Use the bypass or the lower tray from the paper feed unit when working with materials having such characteristics as polyester films, textile transfer films and labels. Otherwise, you may be faced with double feeding or a higher number of feeding jams. If possible use subtray when working with materials having such characteristics as polyester films, textile transfer films and labels. Rollermarks on the copy or print may appear or increased jams can occur. Standard paper weights yield the best possible copy and print results. Using higher grammatures may influence the quality of the output. Using standard paper weights also guarantees that double sided copies and prints are made reliably. Different characters of films as well as thick, thin and coated papers may increase the jam rate for double sided copies and prints.

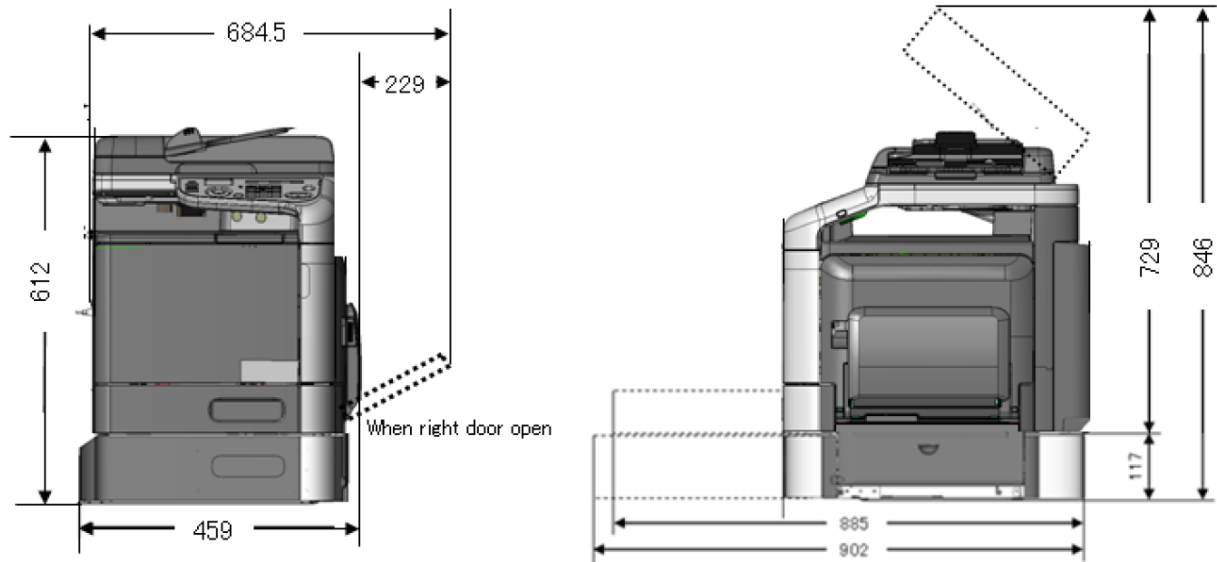
# Product Guide ineo<sup>+</sup> 3110

## System Dimensions

ineo<sup>+</sup> 3110 standard configuration (main body):

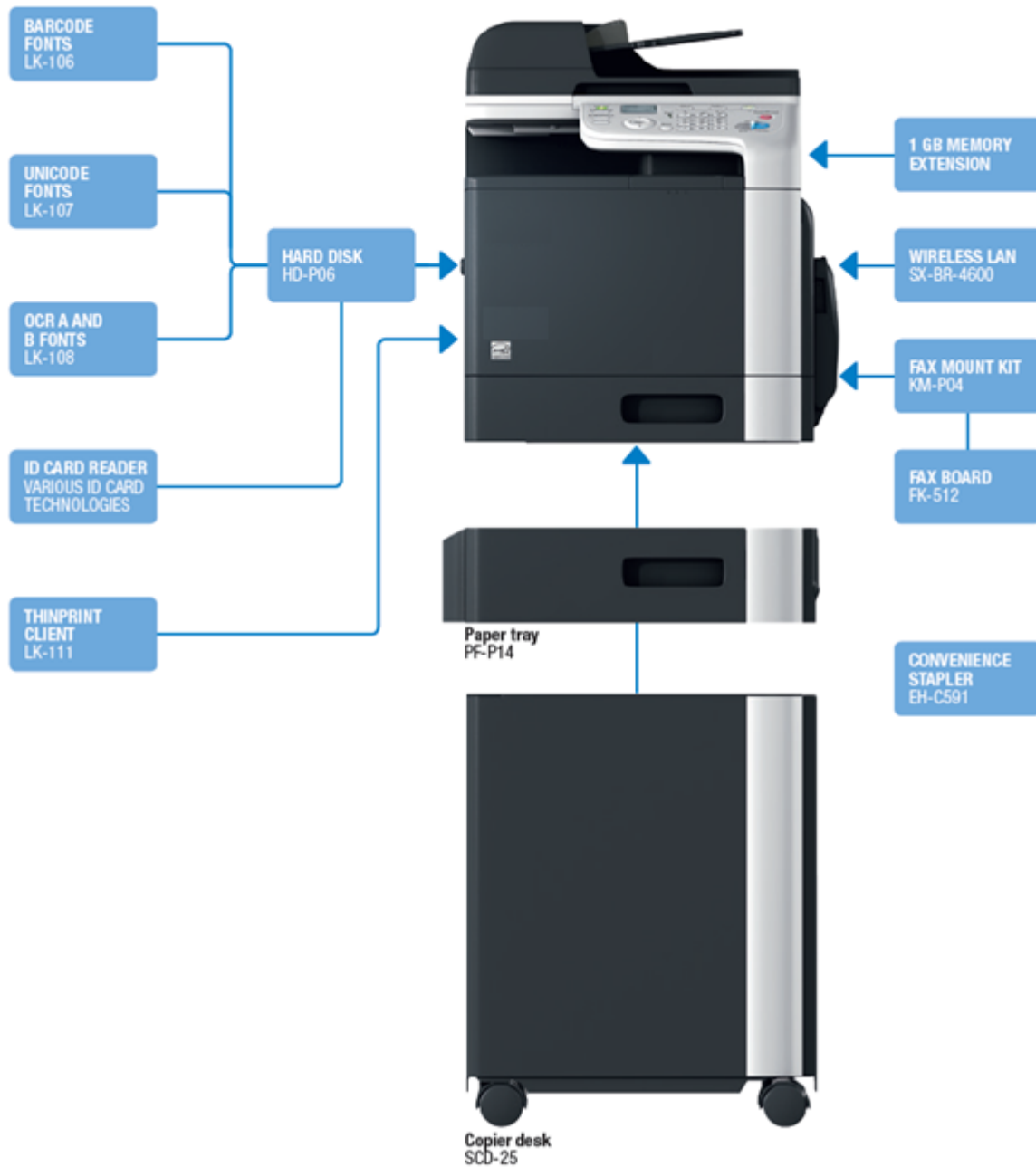


ineo<sup>+</sup> 3110 plus optional cassette



## System Configuration

ineo+ 3110:



## System Specifications

<b>Document Feeder</b>		<b>STANDARD</b>
Original size	A4	
Original weights	50 – 110 gsm	
Capacity	50 originals	
Feeding speed	30/30 ipm	
<b>Standard paper feed tray</b>		<b>STANDARD</b>
Capacity	1 x 250 sheets (80 gsm)	
Paper formats	Width: 92 - 216 mm Length: 148 - 297 mm	
Paper weights	60 - 210 gsm	
Media type	Please see appendix	
<b>Manual bypass tray</b>		<b>STANDARD</b>
Capacity	100 sheets (80 gsm)	
Paper formats	Width: 92 - 216 mm Length: 148 - 356 mm	
Paper weights	60 - 210 gsm	
Media type	Please see appendix	
<b>Automatic duplex unit</b>		<b>STANDARD</b>
Paper weight	60 - 210 gsm	
Paper format	Width: 182 - 216 mm Length: 254 - 356 mm	
<b>PF-P14 Paper cassette</b>		<b>OPTION</b>
Capacity	1 x 500 sheets (80 gsm)	
Paper formats	A4	
Paper weights	60 - 90 gsm	
Media type	Please see appendix	
Dimensions (W x D x H)	447 x 529 x 117 mm	
Weight	7.5 kg	
Remark	Could be installed once	

## Product Guide ineo+ 3110

---

<b>SCD-25 Simple Copier Desk</b>		<b>OPTION</b>
Dimensions (W x D x H)	520 x 419.1 x 505	
Weight	13.2 kg	
Function	To place the machine in a correct operation height and to store paper and/or consumables	
Remark	Also compatible with ineo+ 3100P Stabilizer must be mounted.	
<b>FK-512 Fax Board</b>		<b>OPTION</b>
Communication	Super G3	
Remark	Mount kit MK-P04 is required for installation	
<b>MK-P04 Fax Mount Kit</b>		<b>OPTION</b>
Functionality	Required for installation of FK-512	
Remark	-	
<b>1 GB Memory Extension</b>		<b>OPTION</b>
Functionality	1 GB Memory Extension for faster processing	
Remark	-	
<b>320 GB Hard Disk</b>		<b>OPTION</b>
Functionality	320 GB Hard Disk to enable the following functionalities: <ul style="list-style-type: none"> <li>- Electronic sorting</li> <li>- Job Control / Job deletion (Delete job by other user)</li> <li>- Proof &amp; Print</li> <li>- Secure Print</li> <li>- Direct print of PDF, searchable PDF, CPDF, JPEG, TIFF, XPS, OOXML, PPML</li> <li>- SSL Network security</li> <li>- Print from USB</li> <li>- i-Option support</li> <li>- IC Card Reader support</li> </ul>	
Remark	-	
<b>ID card authentication unit</b>		<b>OPTION</b>
Functionality	Authentication by contact less ID card	
Remark	For details on available card technologies please refer to the price list. Please note: There is no mount kit available. Therefore, the Card Reader has to be put onto the most preferable place for each customer considering their environment.	



## Product Guide ineo+ 3110

---

<b>LK-106 i-Option license</b>		<b>OPTION</b>
Functionality	Additional barcode fonts	
Remark	HD-P06 needed	
<b>LK-107 i-Option license</b>		<b>OPTION</b>
Functionality	Additional barcode fonts	
Remark	HD-P06 needed	
<b>LK-108 i-Option license</b>		<b>OPTION</b>
Functionality	Additional barcode fonts	
Remark	HD-P06 needed	
<b>LK-111 i-Option license</b>		<b>OPTION</b>
Functionality	ThinPrint connectivity	
<b>SX-BR-4600 Wireless LAN</b>		<b>OPTION</b>
Functionality	External LAN to WLAN box	

## Copier Specifications

<b>OPERATION PANEL</b>	<p><b>LCD:</b> 128x64 Bitmap</p> <p><b>Buttons:</b> Start key (Color), Start key (B/W), Stop / Reset key, Ten key (0 - 9, *, #), Menu Select key, Dark / Left key, Light / Right key, Up key, Down key, Back key, Copy mode key / Power, Scan mode key / Sleep, Fax mode key / Access, Redial/Pause key, On hook key, Address-book key</p> <p><b>LEDs:</b> Start LED (2 color), Error LED, Copy mode key LED, Scan mode key LED, Fax mode key LED, Auto RX Mode LED</p>
<b>WARM-UP TIME</b>	
From power-switch on to ready for print	less than 36 sec.
From sleep return until ready for print	less than 34 sec.
<b>FIRST COPY</b>	
Colour (sec. or less)	15
B/W (sec. or less)	13
<b>COPY SPEED</b>	
A4 simplex (plain paper)	31/31 ppm
A4 simplex (thick paper)	15.5/15.5 ppm
A4 duplex (plain paper)	31/31 ppm
A4 duplex (thick paper)	15.5/15.5 ppm
<b>SCAN RESOLUTION</b>	600 x 600 dpi
<b>MEMORY</b>	1 GB std. (shared among all MFP functions) Can be expanded with 1 additional GB
<b>HDD</b>	Optional 320 GB (shared among all MFP functions)
<b>GRADATION / COLOURS</b>	256 gradations (8 bit)
<b>ZOOM</b>	Variable 25 - 400 %, adjustable in 0,1% steps
<b>MULTI COPY</b>	1 – 99 pages
<b>IMAGE LOSS (COPY)</b>	Leading edge: 4 mm Trailing edge: 4mm Both sides: 4mm
<b>POWER REQUIREMENT</b>	220 - 240 V / 50-60 Hz
<b>MAX. POWER CONSUMPTION</b>	< 1.2 kW (test method RAL-UZ 171)

## Product Guide ineo<sup>+</sup> 3110

---

<b>MACHINE DIMENSIONS (W x D x H)</b>	447 x 544 x 500 mm (main body)
<b>MACHINE WEIGHT</b>	Device only: 29.5 kg Device including supplies: 34.3 kg Device including package: 43.3 kg
<b>PAPER OUTPUT CAPACITY</b>	150 sheets (plain paper)
<b>PAPER INPUT CAPACITY</b>	Std.: 350 sheets (2-way) Max.: 850 sheets (3-way, optional)
<b>COPY FUNCTIONS</b>	
Electronic sorting	Yes (optional HDD required)
Adjustments	Sharpness (5 steps) Image density (7 steps)
Proof copy	yes
Original image selection	Yes (image mode: Mix / Text / Photo) (quality : Normal / fine)
Magnification selection	yes (Full size / Preset zoom / Manual)
Simplex / Duplex selection	yes
Sort / Group	yes / yes
Combination	yes (2-in-1, 4-in-1)
Poster	yes
Media selection	Yes (Size: Preset / free size) (Type: Plain / Thick 1 / Thick 2 / Recycle / Label / Letterhead / Coated 1 / Coated 2 / Non-Duplex / Special / Envelope / Postcard)
ID card copy	yes

## Printer Specifications

<b>CPU</b>		1.066 GHz (MV78230)
<b>PRINT SPEED</b>		
	A4 simplex col/bw (plain paper)	31/31 ppm
	A4 simplex col/bw (thick paper)	15.5/15.5 ppm
	A4 duplex col/bw (plain paper)	31/31 ppm
	A4 duplex col/bw (thick paper)	15.5/15.5 ppm
<b>FIRST COPY</b>		
	Colour (sec. or less)	12.9
	B/W (sec. or less)	12.9
<b>PRINT RESOLUTION</b>		Default mode: 600 x 600 dpi High-definition mode: 1200 x 1200 dpi (half speed)
<b>PAGE DESCRIPTION LANGUAGE (PDL)</b>		PCL5e/c Emulation PCL XL Ver. 3.0 Emulation PostScript 3 Emulation (3016) XPS Ver. 1.0 (if HDD is installed) PPML/GA2.2 (if HDD is installed) PPML VDX (if HDD is installed) OpenXPS (if HDD is installed) PDF1.7 (if HDD is installed)
<b>PRINT RAM</b>		1 GB std. (shared among all MFP functions) Can be expanded with 1 additional GB
<b>TEC</b>		≤ 2.0 kWh (test method RAL-UZ 171)
<b>POWER CONSUMPTION</b>	<b>SLEEP MODE</b>	< 2.5 W (test method RAL-UZ 171)
	<b>READY MODE</b>	72 W (test method RAL-UZ 171)
	<b>PLUG-IN MODE</b>	< 0.1 W (test method RAL-UZ 171)
	<b>PRINT</b>	500 W (test method RAL-UZ 171)
<b>ACOUSTICS</b>	<b>READY MODE</b>	< 40 dB(A) (test method RAL-UZ 171)
	<b>PRINT B/W</b>	< 66 dB(A) (test method RAL-UZ 171)
	<b>PRINT COLOUR</b>	< 67 dB(A) (test method RAL-UZ 171)
<b>PRINT HDD</b>		Optional 320 GB (shared among all MFP functions)
<b>FONTS</b>		
	PCL	80 fonts
	PostScript3	137 fonts

## Product Guide ineo<sup>+</sup> 3110

---

<b>HOST INTERFACES</b>	
10Base-T/100Base-TX/1000 Base-T Ethernet	yes (std.)
USB 2.0	yes (std.)
USB host	yes (std., for USB direct printing)
<b>NETWORK PROTOCOLS</b>	
TCP/IP (IPv4, IPv6)	yes
SMB	yes
LPD	yes
IPP	yes
SNMP	yes
HTTP	yes
HTTPS	yes
<b>SUPPORTED OS</b>	
Windows Vista (32/64)	yes
Windows 7 (32/64)	yes
Windows 8 (32/64)	yes
Windows Server 2003 (32/64)	yes
Windows Server 2003 R2 (32/64)	yes
Windows Server 2008 (32/64)	yes
Windows Server 2008 R2 (64)	yes
Windows Server 2012 (64)	yes
Macintosh OS X	yes (Ver. 10.8.2 or later)
Linux	yes (Red Hat Enterprise Linux 5 or later)
Citrix	yes
<b>IMAGE LOSS (PRINT)</b>	Leading edge, Trailing edge, Both sides: 4 ±2 mm
<b>PRINT FUNCTIONS</b>	
Combination / N-up / Poster mode	yes / yes / yes
Watermark	yes
Direct print	yes (TIFF, XPS, PDF, JPEG, OOXML (PPTX, DOCX, XLS))
Secure print	yes

## Scanner Specifications

<b>SCAN FUNCTIONS</b>	
Scan-to-eMail	yes
Scan-to-SMB	yes
Scan-to-FTP	yes
Scan-to-HDD	yes
Scan-to-USB	yes
Scan-to-DPWS	yes
Network TWAIN scan	yes
<b>SCAN SPEED</b>	Up to 30 ipm (via RADF)
<b>COLOUR SCANNING CAPABILITY</b>	yes
<b>MAX. SCAN ORIGINAL SIZE</b>	A4
Flatbed	Max. A4
ADF	Max. 215.9 x 500 mm
<b>SCAN RESOLUTION</b>	200x200 dpi; 300x300 dpi: With opt. HDD: 400x400 dpi; 600x600 dpi
<b>SCAN FORMAT</b>	TIFF, PDF, Compact PDF, JPEG, XPS (opt.)
<b>PROTOCOLS</b>	TCP/IP (FTP, SMB, SMTP, WebDAV) TCP Socket WSD
<b>SUPPORTED OS</b>	
Windows Vista (32/64)	yes
Windows 7 (32/64)	yes
Windows 8 (32/64)	yes
Windows Server 2003 (32/64)	yes
Windows Server 2003 R2 (32/64)	yes
Windows Server 2008 (32/64)	yes
Windows Server 2008 R2 (64)	yes
Windows Server 2012 (64)	yes
Macintosh OS X	yes (Ver. 10.3 or later)
<b>SCANNER DRIVER</b>	TWAIN driver

## Fax Specifications (optional)

Communication	Super G3
Compatible lines	Public switch telephone network, private branch exchange, fax communication line
Line density	600 x 600 dpi (ultra fine) 400 x 400 dpi (super fine) 200 x 200 dpi (fine)
Max. modem speed	2.4 – 33.6 kbps
Compression	MH, MR, MMR, JBIG
Transmission size	Flatbed: max. A4 ADF: max. 215.9 x 500 mm
Receiving size	Max. A4 (max. 500 mm, printed according page partition setting)
Transmission speed	Less than 3 sec. (A4, V.34, 33.6 kbps, JBIG)
Fax destinations	250 (shared with scan)
i-Fax	no
PC-fax	yes
Fax features	<p>Program, Select from address book, Group dial program, Auto redial, Original type (Text, Text/Photo, Photo), Density, Memory/Quick TX, Busy/Error redial, Broadcast TX, Timer TX, Confidential TX/RX, Relay TX request, Polling TX/RX, Original bind direction/Paper bind direction, Frame Erase TX, TX Original size setting, Mixed original TX, ECM OFF, V34 OFF TX, Memory RX, Call rejection, Confidential print, Auto reduction print, Full size print, Number display, Dial-in, Vicarious execution</p> <p>forward, Remote RX, Night-time receiving, Communication activity report, TX result report, Broadcast result TX report, Broadcast result RX report, Confidential RX report, Various lists, 2-sided record, Banner paper original TX/RX, TSI routing, Prevention of mistransmission</p>

## Consumables

<b>TONER BLACK</b>	
Name	TNP51K
Concept	Cartridge system
Yield R&D	5,000 (3 pages/job)
Standard Field Value	4,700 (2 pages/job)
Units per box	1 cartridge
<b>TONER COLOUR (C/M/Y)</b>	
Name	TNP51C/M/Y
Concept	Cartridge system
Yield	5,000 (3 pages/job)
Standard Field Value	4,700 (2 pages/job)
Units per box	1 cartridge
<b>IMAGING UNIT (C/M/Y/K)</b>	
Name	IUP23C/M/Y/K
Yield	25,000 (3 pages/job)
Standard Field Value	20,000 (2 pages/job)
Units per box	1
<b>WASTE TONER BOX</b>	
Name	WB-P03
Yield	23,000
Standard Field Value	19,700



## Product Guide ineo+ 3110

---

### Article numbers and compatibility

Machine	Article number	Compatibility
ineo+ 3110	A6DT121	---
Accessories	Article number	Compatibility
<b>PF-P14</b> Lower paper feeder	A73HWY1	ineo+ 3100P/3110
<b>SCD-25</b> Simple copy desk	9960880000	ineo+ 25/3100P/3110
<b>HD-P06</b> Hard disk kit	A734WY1	ineo+ 3100P/3110
<b>1 GB Memory extension</b>	9967003353	ineo+ 3100P/3110
<b>FK-512</b> Fax board	A6EDW21	ineo+ 3110/3350/3850
<b>MK-P04</b> Mount kit for FK-512	A735WY1	ineo+ 3110
<b>LK-106</b> i-Option license	A0PDW29	ineo+ 3100P/3110 ineo+ 3350/3850 ineo+ 224e/284e/364e/454e/554e [and other MFP series]
<b>LK-107</b> i-Option license	A0PDW2F	ineo+ 3100P/3110 ineo+ 3350/3850 ineo+ 224e/284e/364e/454e/554e [and other MFP series]
<b>LK-108</b> i-Option license	A0PDW2G	ineo+ 3100P/3110 ineo+ 3350/3850 ineo+ 224e/284e/364e/454e/554e [and other MFP series]
<b>LK-111</b> i-Option license	A0PDW2K	ineo+ 3100P/3110 ineo+ 3350/3850 ineo+ 224e/284e/364e/454e/554e [and other MFP series]
<b>EH-C591</b> Convenience stapler	9967001293	ineo+ 3100P/3110 [and other MFP series]
<b>SX-BR-4600</b> Wireless LAN	9967002640	ineo+ 3100P/3110 [and other MFP series]
Parts	Article number	Compatibility
<b>TF-P04</b> Transfer roller	A1480Y2	ineo+ 25/3100P/3110
<b>TF-P05</b> Transfer belt unit	A1480Y1	ineo+ 25/3100P/3110
<b>FU-P06</b> Fusing unit	A148022	ineo+ 3100P/3110

## Product Guide ineo+ 3110

---

Consumables	Article number	Compatibility
<b>TNP51C</b> Toner C	A0X54D5	ineo+ 3110
<b>TNP51M</b> Toner M	A0X53D5	ineo+ 3110
<b>TNP51Y</b> Toner Y	A0X52D5	ineo+ 3110
<b>TNP51K</b> Toner K	A0X51D5	ineo+ 3110
<b>IUP23C</b> Imaging Unit C	A7331KJ	ineo+ 3100P/3110
<b>IUP23M</b> Imaging Unit M	A7331EJ	ineo+ 3100P/3110
<b>IUP23Y</b> Imaging Unit Y	A73318J	ineo+ 3100P/3110
<b>IUP23K</b> Imaging Unit K	A73313J	ineo+ 3100P/3110
<b>WB-P03</b> Waste toner bottle	A1AU0Y1	ineo+ 3100P/3110

## Documentation

### Legal Required Information (LRI) and Face Sheet

	Legal Required Information (LRI)	Face Sheet
en	4821311000	9969311000
de	4821311001	9969311001
fr	4821311002	9969311002
es	4821311003	9969311003
it	4821311004	9969311004
pt	4821311005	9969311005
nl	4821311006	9969311006
da	4821311007	9969311007
sv	n/a	n/a
no	4821311009	9969311009
fi	4821311010	9969311010
el	4821311011	9969311011
tr	4821311013	9969311013
cs	4821311015	9969311015
hu	4821311018	9969311018
pl	4821311021	9969311021
ro	4821311022	9969311022
ru	4821311023	9969311023
sk	4821311024	9969311024

# Product Guide ineo+ 3110

---

## Driver and User Documentation (Quick Guides)

English	On DVD, packed with printed LRI to machine.
German	
French	
Spanish	
Italian	
Portuguese	
Dutch	
Danish	
Norwegian	
Greek	
Turkish	
Czech	
Hungarian	
Polish	
Romanian	
Russian	
Slovakian	

## Product Guide ineo<sup>+</sup> 3110

---

### Recommended Media

	Remark	Article number
<b>PAPER</b>		
Konica Minolta Color + (Konica Minolta branded)	A4, 90 gsm	9966131000
Konica Minolta Original (Konica Minolta branded)	A4, 80 gsm	9960612000
Color Copy	Mondi, A4, 100/160/200 gsm	---
Color Copy Style	Mondi, A4, 100/160/200 gsm	---
Trend White 80 (Recycling paper)	Steinbeis, A4, 80 gsm	---
NAUTILUS (Environmental paper)	Mondi, A4, 80 gsm	---
NAUTILUS Super White (Environmental paper)	Mondi, A4, 80 gsm	---
BIO TOP 3 extra (Environmental paper)	Mondi, A4, 80 gsm	---
Color Copy Coated Glossy/Silke (Coated paper)	Mondi, A4, 135 gsm	
<b>ENVELOPES</b>		
Roessler (Rössler) Kuvert (DIN DL)	Standard Envelope, DIN DL (110x220 mm), 100 gsm, Roessler P/N 221090	---
Torgau-Kuvert (DIN DL)	Torgau offset white, DIN DL (110x220 mm), 80 gsm, Torgau P/N 227410	---
ELCO (DIN C6)	Elco proclima, DIN C6 (114x162 mm), 100 gsm, ELCO P/N 38686	---
Papyrus (DIN C6)	First Class white, DIN C6 (114x162 mm), 80 gsm, Papyrus P/N 88026072	---

## Product Guide ineo<sup>+</sup> 3110

---

### Appendix

#### Paper weights and sizes to be used

Source	Capacity (80 gsm)	Size	Weight (gsm)
Tray 1	250 sheets	A4 – A6	60 – 210
Bypass tray	100 sheets	A4 – A6 Width: 92 x 216 mm Length: 148 x 356 mm	60 – 210
Duplex unit	n/a	A4	60 – 210
PF-P14	500 sheets	A4	60 – 90

#### Media type tray support

Media type	Bypass tray	Tray 1	PF-P14	Duplex unit
Plain paper (60-90 gsm)	yes	yes	yes	yes
Recycle paper (60-90 gsm)	yes	yes	yes	yes
Single side only paper (60-90 gsm)	yes	yes	yes	n/a
Thick paper 1 (91-120 gsm)	yes (20 sheets)	yes (20 sheets)	n/a	yes
Thick paper 1+ (121-157 gsm)	yes (20 sheets)	yes (20 sheets)	n/a	yes
Thick paper 2 (158-210 gsm)	yes (20 sheets)	yes (20 sheets)	n/a	yes
Coated paper 1+ (121-157 gsm)	yes (20 sheets)	yes (20 sheets)	n/a	n/a
Coated paper 1 (100-128 gsm)	yes (20 sheets)	yes (20 sheets)	n/a	n/a
Coated paper 2 (158 gsm)	yes (20 sheets)	yes (20 sheets)	n/a	n/a
Envelopes	yes (10 sheets)	yes (30 sheets)	n/a	n/a
Label sheets	yes (20 sheets)	yes (20 sheets)	n/a	n/a
Postcards	yes (20 sheets)	yes (20 sheets)	n/a	n/a

## Product Guide ineo<sup>+</sup> 3110

---

### Applications

Device Manager	Yes
Account Manager	Yes (with optional HDD)
Authenticaton Manager	Yes (with optional HDD)
My Print Manager	Yes (with optional HDD)
Direct Print	Yes (with optional HDD)
Data Administrator	Yes
ineoPRINT App	Yes
Print Status Notifer	yes
ineo RC	Yes (via DCA)
Download Manager	Yes
Driver Packaging Utility	Yes

## HDD enabled function

### Security functions:

- ISO 15408 EAL3
- IP filtering and port blocking
- SSL2
- SSL3 and TSL 1.0 network communication
- Ipsec support
- IEEE 802.1x support
- user authentication
- secure print
- hard disk overwrite
- Hard disk data encryption

### Device functionality:

- Electronic Sorting
- Job deletion (Delet job by other user)
- Trial copy/trial print
- Continuous scanning setting (Scan one job in several parts)
- Memory copy
- Direct Print
- Proof & Print
- Secured Job
- Resolution (scan):  
200dpi/300dpi/400dpi/600dpi
- new job log
- job log acquisition (acquire job log data from PC)
- SSL
- Print from USB
- Option LK-106/107/LK-108
- User/account setting
- Certification publication
- Direct Print
- Download Manager
- sort by several folder
- Folder saving (Print, FAX sending, FAX receiving)
- Folder saving limit (Print, Scan, FAX sending, FAX receiving)
- Folder limit
- automatic deletion
- send fax image in folder
- print: fax image in folder
- print: print image in folder
- delete document



## Product Guide ineo<sup>+</sup> 3110

---

### What is delivered with the machine?

	<b>Packed at factory</b>	<b>Added in Europe</b>
Toner CMYK	yes (full capacity)	-
Imaging units CMYK	yes (full capacity)	-
Waste toner bottle	yes	-
Legal Required Information (LRI)	-	yes (printed)
DVD with drivers & user guides	-	yes
Face sheets	-	yes
Telephone line cable	no	
USB cable	no	
Power cord	yes	





[www.gemini24.com.pl](http://www.gemini24.com.pl)

**Note!**

Since changes in technical features are the order of the day in the world of digital copiers and printing technology, please note that the technical data provided in this material was issued in July 2014. We reserve the right to make changes to the technical design. Specifications refer to maximum performance under standard conditions. No guarantee is provided in relation to any of the data supplied.

Your DEVELOP Marketing