

**DEVELOP**

Dynamic balance

# Product Guide



**ineo+ 258/308/368**

## Product Guide ineo+ 258/308/368

---

Revision	Description
23.07.2015	Initial version
28.08.2015	Article Number change for UK-211
10.09.2015	LRI article numbers corrected/added (page 35)

Since changes in technical features may occur, please note that the technical data provided in this product guide was issued in July 2015. We reserve the right to make changes to the technical design. Specifications refer to maximum performance under standard conditions. No guarantee is provided in relation to any of the data supplied.

### Table of contents

Product basics .....	4
System dimensions.....	5
System configuration .....	7
System specifications .....	8
Copier specifications.....	17
Printer specifications (ineo controller) .....	20
Printer specifications (Fiery controller IC-416) .....	23
Scanner specifications.....	26
Fax specifications .....	27
i-Fax specifications .....	28
IP-Fax specifications.....	28
Consumables .....	29
Article numbers and compatibility .....	31
Documentation.....	34
Recommended media.....	37
Appendix.....	38

## Product Guide ineo+ 258/308/368

Product basics						
MODEL DEVELOPMENT CODE	Zeus S Z	Zeus S X	Zeus S 0	Zeus S 1	Zeus S 2	Zeus S 2.5
MODEL NAME	ineo+ 658	ineo+ 558	ineo+ 458	ineo+ 368	ineo+ 308	ineo+ 258
SUCCESSOR MODEL FOR	ineo+ 654e	ineo+ 554e	ineo+ 454e	ineo+ 364e	ineo+ 284e	ineo+ 224e
ALSO AVAILABLE AS	KM bizhub C658	KM bizhub C558	KM bizhub C458	KM bizhub C368	KM bizhub C308	KM bizhub C258
	Olivetti d-Color	Olivetti d-Color	Olivetti d-Color	Olivetti d-Color MF364	Olivetti d-Color MF304	Olivetti d-Color MF254
ESTIMATED SALES START	08/2016			09/2015		01/2016
INFOSOURCE SEGMENT				Col IV	Col IV	Col III
AVERAGE MONTHLY PAGE VOLUMES (exp. colour ratio: 30%)				25k	16k	13k
MAX MONTHLY PAGE VOLUMES (KMI specified)				125k	100k	80k
	<b>(If the maximum volume is reached within a period of one year, then a maintenance cycle must be performed!)</b>					
MACHINE LIFE				1500k or 5 years	1000k or 5 years	800k or 5 years
MCBF (Mean Copies Between Failure)	Total Colour			63,5k	55,1k	48,0k
	Mono			53,1k	46,0k	40,2k
				69,3k	60,1k	52,4k
MCBJ (Mean Copies Between Jam)	10k with standard paper					
STANDARD COPY MODE (MONO & COLOUR)				4 pages/ job	3 pages/ job	3 pages/ job
STANDARD ORIGINAL DENSITY	5 % Mono & Colour					
SAFETY & ENVIRONMENT	Available on CSES					

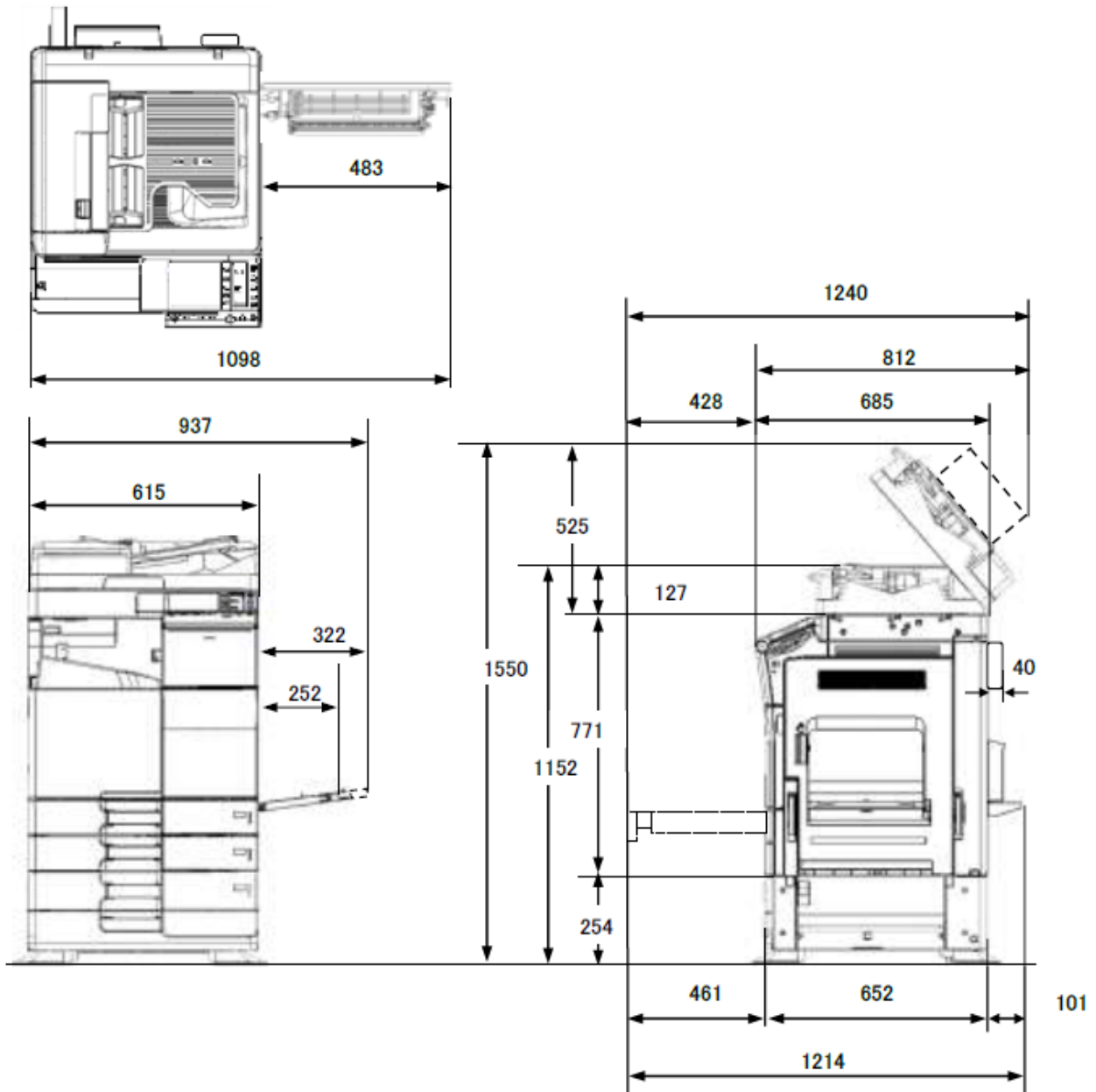
### PLEASE NOTICE

Standard paper weight for systems is 80 g/m<sup>2</sup> for monochrome machines. Since using these standards result in optimum system performance, all specifications on performance, reliability, maintenance and replacement based on those standard papers. Using thick papers, labels, transfer and polyester films continuously can increase the wear and tear on replacement parts and consumables – meaning your servicing costs will go up. Use the bypass or the lower tray from the paper feed unit when working with materials having such characteristics as polyester films, textile transfer films and labels. Otherwise, you may be faced with double feeding or a higher number of feeding jams. If possible use subtray when working with materials having such characteristics as polyester films, textile transfer films and labels. Rollermarks on the copy or print may appear or increased jams can occur. Standard paper weights yield the best possible copy and print results. Using higher grammatures may influence the quality of the output. Using standard paper weights also guarantees that double sided copies and prints are made reliably. Different characters of films as well as thick, thin and coated papers may increase the jam rate for double sided copies and prints.

## Product Guide ineo+ 258/308/368

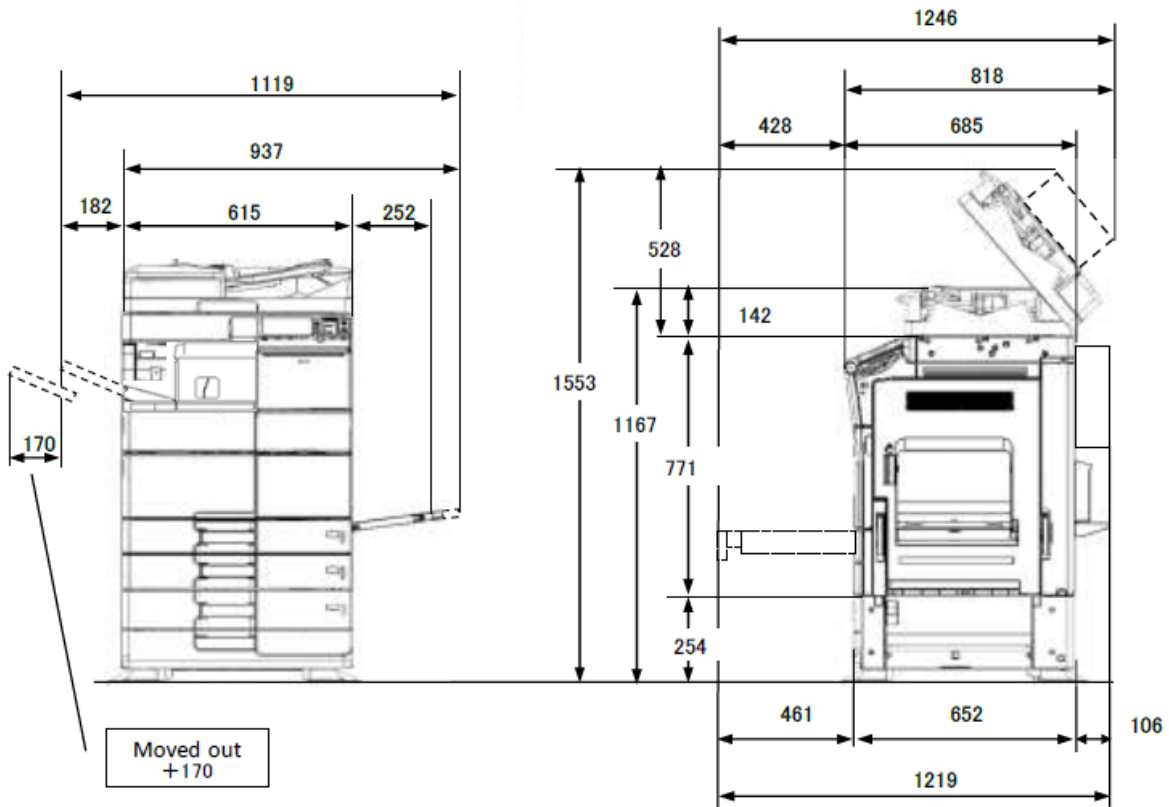
### System dimensions

ineo+ 368/308/258 + PC-210 (PC-110/PC-410/DK-510) + DF-629

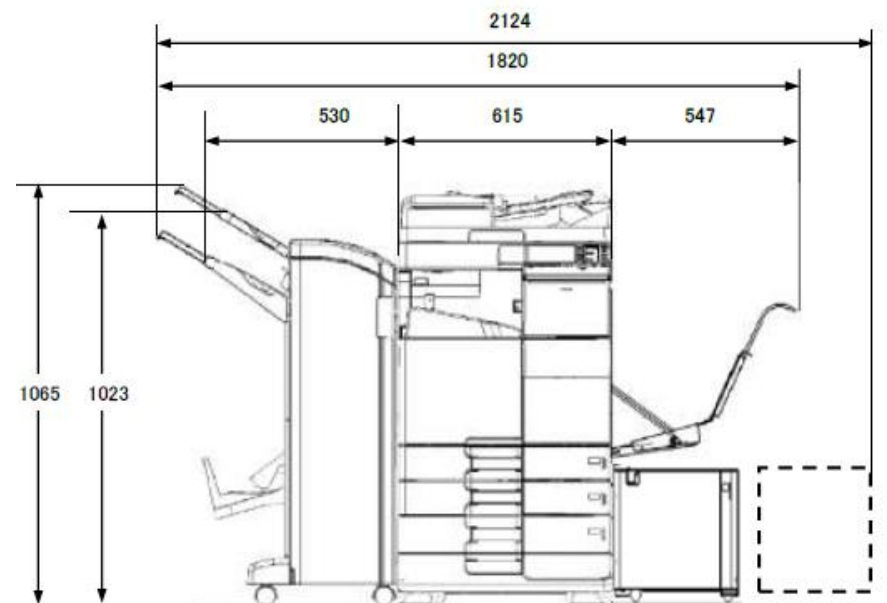


## Product Guide ineo+ 258/308/368

ineo+ 368/308/258 + DF-704 + PC-210 (PC-110/PC-410/DK-510) + FS-533 + CU-101



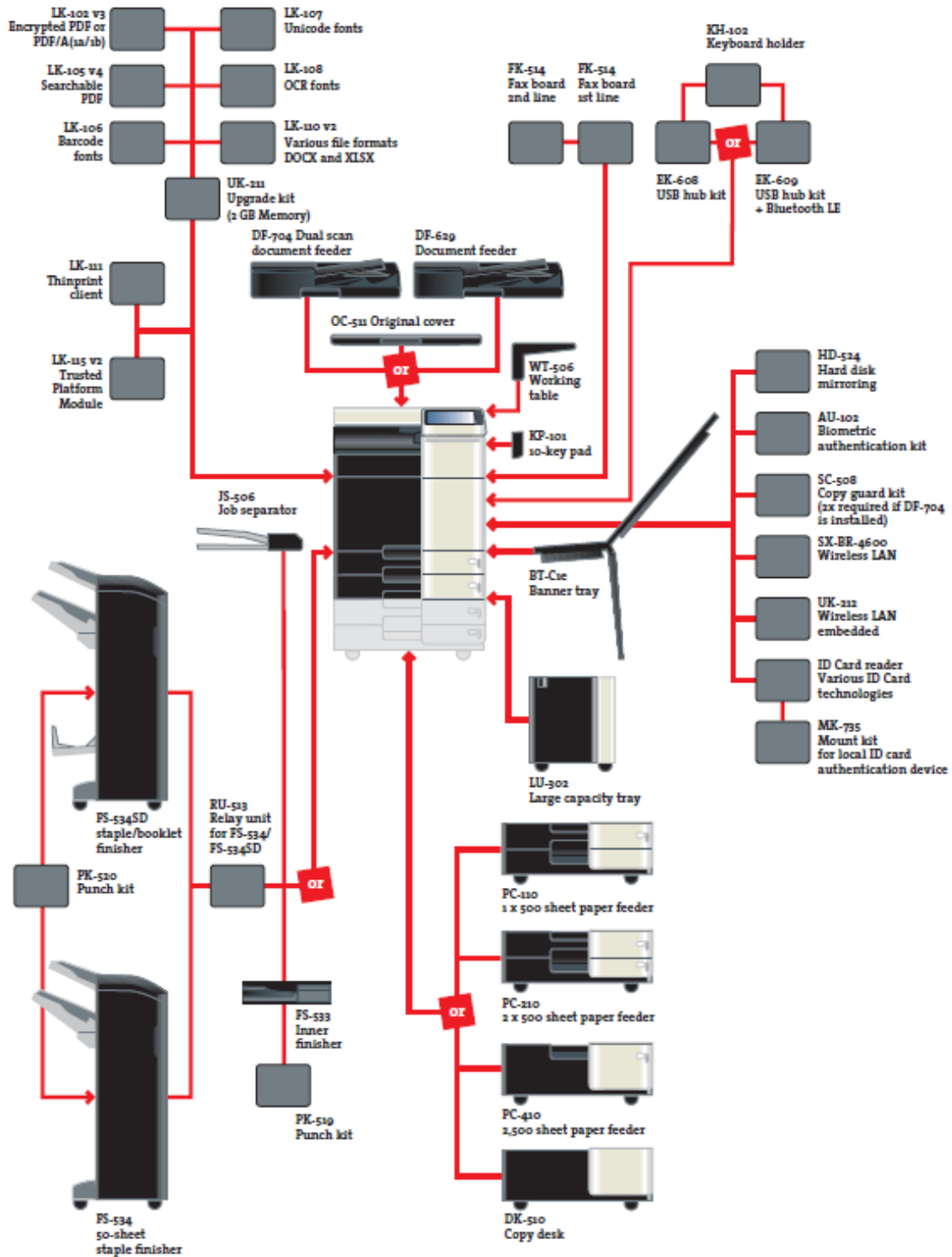
ineo+ 368/308/258 + PC-210 (PC-110/PC-410/DK-510) + DF-629+MK-730 + FS-534SD + LU-302



# Product Guide ineo+ 258/308/368

## System configuration

### Configuration ineo+ 308/368



## Product Guide ineo+ 258/308/368

<b>System specifications</b>	
<b>DF-629 Duplex type automatic document feeder</b>	
<b>OPTION for ineo+ 258/308/368</b>	
Original size	A6 / max. A3
Original weights	35 - 128 g/m <sup>2</sup> (simplex) 50 - 128 g/m <sup>2</sup> (duplex/mix mode)
Tray capacity	100 sheets (80g/m <sup>2</sup> , A4)
Feeding type	First page system
Feeding speed	Simplex mode: <ul style="list-style-type: none"> <li>▪ Copy: 55 originals/min. (600 dpi) [mono &amp; colour]</li> <li>▪ Scan: 80 originals/min. (300 dpi) [mono &amp; colour]</li> </ul> Duplex mode: <ul style="list-style-type: none"> <li>▪ Copy: 26 originals/min. (600 dpi) [mono &amp; colour]</li> <li>▪ Scan: 37 originals/min. (300 dpi) [mono &amp; colour]</li> </ul>
Scanner life	1000k or 5 years (whichever comes first)
Dimensions (W x D x H)	611.2 x 503.6 x 130 mm
Weight	9.0 kg
<b>DF-704 Dual scan document feeder</b>	
<b>OPTION for ineo+ 258/308/368</b>	
Original size	A6 / max. A3
Original weights	35 - 163 g/m <sup>2</sup> (simplex) 50 - 163 g/m <sup>2</sup> (duplex) 50 - 128 g/m <sup>2</sup> (mixed mode)
Tray capacity	100 sheets (80g/m <sup>2</sup> , A4)
Feeding type	First page system, dual scan
Feeding speed	Simplex mode: <ul style="list-style-type: none"> <li>▪ Copy: 55 originals/min. (600 dpi) [mono &amp; colour]</li> <li>▪ Scan: 80 originals/min. (300 dpi) [mono &amp; colour]</li> </ul> Duplex mode: <ul style="list-style-type: none"> <li>▪ Copy: 110 images/min. (600 dpi) [mono &amp; colour]</li> <li>▪ Scan: 160 images/min. (300 dpi) [mono &amp; colour]</li> </ul>
Scanner life	1000k or 5 years (whichever comes first)
Dimensions (W x D x H)	611.2 x 503.6 x 130 mm
Weight	12 kg
<b>OC-511 Original cover</b>	
<b>OPTION for ineo+ 258/308/368</b>	
Remark	Required if no document feeder is attached.



## Product Guide ineo+ 258/308/368

---

<b>Standard paper cassettes</b>		<b>STANDARD</b>
Capacity	1 tray: 500 sheets (universal) 2 tray: 500 sheets (universal)	
Paper formats	1 tray: A5 crosswise - A3 2 tray: A5 crosswise- SRA3 (320 x 450 mm)	
Paper weights	1 - 2 tray: 52 - 256 gsm	
<b>PC-110 Paper cassette</b>		<b>OPTION for ineo+ 258/308/368</b>
Capacity	1 x 500 sheets (80 gsm)	
Paper formats	A5 – A3	
Paper weights	52 - 256 gsm	
Media type	Plain paper	
Dimensions (W x D x H)	615 x 652 x 246 mm	
Weight	22 kg	
<b>PC-210 Paper cassette</b>		<b>OPTION for ineo+ 258/308/368</b>
Capacity	2 x 500 sheets (80 gsm)	
Paper formats	A5 – A3	
Paper weights	52 - 256 gsm	
Media type	Plain paper	
Dimensions (W x D x H)	615 x 652 x 246 mm	
Weight	24 kg	
<b>PC-410 Paper cassettes</b>		<b>OPTION for ineo+ 258/308/368</b>
Capacity	2,500 sheets (80 gsm)	
Paper formats	A4 crosswise	
Paper weights	52 - 256 gsm	
Media type	Plain paper	
Dimensions (W x D x H)	615 x 652 x 246 mm	
Weight	23 kg	

## Product Guide ineo+ 258/308/368

---

<b>LU-302 Large capacity tray</b>		<b>OPTION for ineo+ 258/308/368</b>
Capacity	3,000 sheets (80 gsm) 1,300 sheets (256 gsm)	
Paper formats	A4 crosswise	
Paper weights	52 - 256 gsm	
Dimensions (W x D x H)	367 x 528 x 405 mm	
Weight	18 kg	
Remark	Cannot be installed together with DK-510.	
<b>DK-510 Copy desk</b>		<b>OPTION for ineo+ 258/308/368</b>
Type	Rigid, metal with plastic door	
Dimensions (W x D x H)	615 x 653 x 252 mm	
Weight	11.9 kg	
<b>Manual bypass tray</b>		<b>STANDARD</b>
Capacity	150 sheets	
Paper weight	60 - 300 gsm (OHP, labels, banner paper, etc.)	
Paper format	A6 lengthwise - SRA3 Width: 90 to 320 mm x Length: 139.7 to 1,200 mm	
<b>Duplex</b>		<b>STANDARD</b>
Capacity	Stackless	
Paper weight	52 - 256 gsm	
Paper format	A5 - SRA3	

## Product Guide ineo+ 258/308/368

---

<b>FS-533 Inner finisher</b>		<b>OPTION</b>
Functionality	Stacking, stapling, offset group/sort	
Paper formats	A6 - SRA3, banner	
Paper weights	52 – 300 gsm	
Stack capacity	500 sheets A4 (52 – 90 gsm) 250 sheets A3 (52 – 90 gsm)	
Stapling modes	Corner front/back, 2-point	
Stapling capacity	50 sheets A4 (52 - 90 gsm), 30 sheets A3 (52 - 90 gsm), 2 sheets (91 - 209 gsm for cover pages)	
Staples	SK-602	
Dimensions (W x D x H)	472.5 x 583.5 x 194.7 mm	
Weight	12 kg	
Remark	One staple cartridge is packed to the finisher.	
Additional options for FS-533	PK-519	
<b>PK-519 Punch kit (Europe/Sweden)</b>		<b>OPTION for FS-533</b>
Punch method	On-line, page by page, 2 or 4 holes for Europe, 4 holes for Sweden	
Hole diameter	6.5 mm ± 0,5 mm	
Paper formats	A3, B4, A4 L, B5 L (200 mm x 330 mm)	
Paper weights	52 - 157 gsm	
Dimensions (W x D x H)	110.2 x 483.5 x 203.2 mm	
Weight	3.2 kg	

## Product Guide ineo+ 258/308/368

<b>FS-534 Staple finisher (50 sheets)</b>		
<b>FS-534SD Booklet finisher</b>		<b>OPTION</b>
Functionality	Non-sort, sort, group, staple, punch (additional option), fold (additional option), offset group/sort	
Tray capacity	100/200/3,000 sheets A4 (FS-534) 100/200/2,000 sheets A4 (FS-534SD) 100/200/1,500 sheets A3	
Paper formats	A6 - SRA3, banner	
Paper weights	52 – 300 gsm	
Stack capacity	500 sheets A4 (52 – 90 gsm) 250 sheets A3 (52 – 90 gsm)	
Stapling modes	Corner (front/back), centre 2-points, saddle stitch (additional option)	
Stapling capacity	50 sheets (52 - 90 gsm), 30 sheets (91 - 120 gsm), 15 sheets (121 - 209 gsm)	
Stapling format	A3 - A5 lengthwise	
Staples	SK-602	
Remark	One staple cartridge is packed to the finisher.	
Job separator function	Yes (finisher bridge unit is used for stacking)	
Paper size for job separation function	A6 - SRA3	
Capacity job separation function	Up to 100 sheets 52 – 90 gsm Up to 20 sheets > 90 gsm	
Remark job separation function	This function is only available with Zeus/ZeusMLK /ZeusBK series. It does not apply for all Minerva series.	
Dimensions (W x D x H)	528 x 641 x 1,023 mm	
Weight (FS-534/FS-534SD)	40 kg/64kg (incl. RU-513)	
Additional options for FS-534/FS-543SD	PK-520	
Standard for FS-534SD	SD-511	
Remark	FS-534/SD always requires RU-513	
<b>RU-513 Relay Unit for FS-534/SD</b>		<b>OPTION FOR FS-534/SD</b>
Functionality	Relay Unit for FS-534/FS-534SD	
Remark	RU-513 is always required for FS-534/FS-534SD	

## Product Guide ineo+ 258/308/368

---

<b>PK-520 Punch kit (Europe/Sweden)</b>		<b>OPTION for FS-534/SD</b>
Punch method	On-line, page by page, 2 or 4 holes for Europe, 4 holes for Sweden	
Hole diameter	6.5 mm ± 0,5 mm	
Paper formats	A3, B4, A4 L, B5 L (200 mm x 330 mm)	
Paper weights	52 - 300 gsm	
Dimensions (W x D x H)	61 x 492 x 142 mm	
Weight	1.8 kg	
<b>SD-511 Saddle kit unit</b>		<b>STANDARD for FS-534SD</b>
Paper formats	A4 lengthwise / A3+ (311 x 457 mm)	
Paper weights	Centre staple: 52 - 90 gsm Half-fold: 52 - 209 gsm (more than 91 gsm sheets can be used only as cover sheet) Tri-fold: 52 - 90 gsm	
Tray capacity	20 sets (1-3 pages), 5 sets (11-20 pages) Tri-fold: 30 sets with 1 page, 10 sets with 2 or 3 pages	
Stapling modes	Centre parallel 2-points (booklet staple)	
Stapling capacity for centre stapling	20 sheets (52 - 90 gsm), 19 sheets + cover sheet (19 sheets 90 gsm + 1 sheet 209 gsm)	
Staples	SK-602	
Dimensions (W x D x H)	210 x 556 x 547 mm	
Weight	24 kg	
Remark	One staple cartridge is packed to the saddle kit unit.	
<b>JS-506 Inner job separator</b>		<b>OPTION</b>
Paper formats	Tray 1/2: A6 - SRA3 Banner and long length tray 2 only	
Paper weights	52 - 300 gsm	
Tray capacity	Tray 1: 100 sheets (90 gsm) Tray 2: 150 sheets (90 gsm)	
Dimensions (W x D x H)	491.9 x 469.5 x 226.5 mm	
Weight	2.5 kg	
Remark	Can't be installed together with FS-533/534/SD. Supports offset group/sort.	

## Product Guide ineo+ 258/308/368

---

<b>KP-101 10-key-pad</b>		<b>OPTION</b>
Functionality	Hardware 10 key pad for number entry instead of touch panel	
<b>WT-506 Working table</b>		<b>OPTION</b>
Functionality	To place authentication unit.	
<b>FK-514 Fax board</b>		<b>OPTION</b>
Specifications	Please refer to the chapter "Fax specifications"	
Remark	For a second fax line a second FK-514 is required.	
<b>IC-416 Fiery controller</b>		<b>OPTION</b>
Specifications	Please refer to the chapter "Fiery specifications"	
Remark	VI-508 is required in addition.	
<b>VI-508 Video interface kit</b>		<b>OPTION</b>
Remark	Required for installing IC-416	
<b>KH-102 Keyboard holder</b>		<b>OPTION</b>
Functionality	To place the optional USB keyboard (keyboard is procured locally by countries).	
<b>EK-608 USB host board</b>		<b>OPTION</b>
Functionality	USB interface for connection of USB keyboard.	
<b>EK-609 USB host board and Bluetooth</b>		<b>OPTION</b>
Functionality	USB interface for connection of USB keyboard. Included Bluetooth technology for connection to mobile devices. Includes also speakers.	
<b>IC card authentication unit</b>		<b>OPTION</b>
Functionality	Authentication by contact less IC card	
Remark	For details on available card technologies please refer to the price list. MK-735 is required for inside installation, WT-506 is recommended for outside placement.	
<b>MK-735 Mount kit</b>		<b>OPTION</b>
Functionality	Installation kit for ID card reader (device integrated behind front cover).	

## Product Guide ineo+ 258/308/368

---

<b>AU-102 Biometric authentication unit</b>		<b>OPTION</b>
Functionality	Authentication by finger vein scanner. WT-506 is recommended for placement.	
<b>SC-508 Security kit</b>		<b>OPTION</b>
Functionality	Copy Guard and Password copy functionality (security pattern search)	
Remark	2 x required if DF-704 is installed.	
<b>BT-C1e Banner tray</b>		<b>OPTION</b>
Function	To support multi banner feeding through manual bypass.	
<b>UK-211 2 GB memory upgrade</b>		<b>OPTION</b>
Capacity	2 GB	
Functionality	Required in order to activate i-Options. Also required for overlay function in copy mode and to have full device functionality if Web Browser/IWS is activated	
<b>LK-102v3 i-Option license</b>		<b>OPTION</b>
Functionality	PDF encryption function, PDF/A 1b support, Meta data	
Remark	UK-211 is required in addition.	
<b>LK-105v4 i-Option license</b>		<b>OPTION</b>
Functionality	OCR for searchable PDF, PPTX PDF/A 1a (LK-102v3 needed in addition for PDF/A 1a)	
Remark	UK-214 is required in addition.	
<b>LK-106 i-Option license</b>		<b>OPTION</b>
Functionality	Printing of Barcode fonts	
Remark	UK-211 is required in addition.	
<b>LK-107 i-Option license</b>		<b>OPTION</b>
Functionality	Printing of Unicode fonts	
Remark	UK-211 is required in addition.	

## Product Guide ineo+ 258/308/368

---

<b>LK-108 i-Option license</b>		<b>OPTION</b>
Functionality	Printing of OCR fonts	
Remark	UK-211 is required in addition.	
<b>LK-110v2 i-Option license</b>		<b>OPTION</b>
Functionality	Generation of various file formats (incl. DOCX, XLSX and PDF/A)	
Remark	UK-211 is required in addition. Included functionality of LK-102v3 and LK-105v4.	
<b>LK-111 i-Option license</b>		<b>OPTION</b>
Functionality	Native ThinPrint client	
Remark	UK-211 is <b>not</b> required for LK-111.	
<b>LK-115v2 i-Option license</b>		<b>OPTION</b>
Functionality	Enables Trusted Platform Module (TPM) to enhance security level	
Remark	UK-211 is <b>not</b> required for LK-115	
<b>UK-212 Wireless LAN</b>		<b>OPTION</b>
Functionality	Wifi model for both bizhub Remote Access and normal Wifi connection	
Remark	Required for ineo Remote Access on Android and iOS and for wireless LAN Access Point Mode.	
<b>HD-524 Hard Disc Mirroring</b>		<b>OPTION</b>
Functionality	Back-up HDD to ensure data availability	
<b>SX-BR-4600 Wireless LAN</b>		<b>OPTION</b>
Functionality	External LAN to Wifi box.	
<b>SP-501 Stamp unit</b>		<b>OPTION for DF-629/DF-704</b>
Functionality	Attached to DF-629/DF-704. Marks every fax original which is scanned for transmission.	
<b>Spare TX marker stamp 2</b>		<b>OPTION for SP-501</b>
Functionality	Spare stamp for SP-501	



## Product Guide ineo+ 258/308/368

Copier specifications						
	ineo+ 658	ineo+ 558	ineo+ 458	ineo+ 368	ineo+ 308	ineo+ 258
<b>WARM-UP TIME</b>						
Main switch ON				20 sec. or less		
<b>FIRST COPY</b>						
Colour (sec or less)				6.9	7.3	7.5
B/W (sec or less)				5.3	5.6	6.1
<b>COPY SPEED</b>						
A4 crosswise mono/colour plain paper (simplex/duplex)				36 ppm	30 ppm	25 ppm
A4 crosswise mono/colour thick paper (simplex/duplex)				18 ppm		
A4 crosswise mono/colour from bypass (simplex/duplex)				35 ppm	30 ppm	25 ppm
A3 mono/colour (simplex/duplex)				18 ppm	15 ppm	15 ppm
<b>SCAN RESOLUTION</b>	600 x 600 dpi					
<b>PRINT RESOLUTION</b>	1200 x 1200 dpi					
<b>MEMORY</b>	2 GB std. 4 GB max.					
<b>HDD</b>	250 GB					
<b>GRADATION</b>	256					
<b>ZOOM</b>	25 - 400 %, adjustable in 0,1% steps					
<b>MULTI COPY</b>	1 - 9999, count up, interruption capability					
<b>DENSITY ADJUSTMENT</b>	Automatic, manual (9 steps)					
<b>IMAGE LOSS</b>	Leading edge: 4.2 mm or less Trailing edge: 3 mm or less Both sides: 3 mm or less Max. print area for SRA3 paper size: 307.1 x 437.1 mm; for 311.1 x 457.2 mm paper size: 302.7 x 448,7 mm					
<b>POWER REQUIREMENT</b>	220 - 240 V / 50/60 Hz					
<b>MAX. POWER CONSUMPTION</b>	< 1.5 kW					

## Product Guide ineo+ 258/308/368

---

<b>COPIER DIMENSIONS (W x D x H)</b>		615 x 685 x 779 mm (w/o OC-511)
<b>COPIER WEIGHT</b>		Approx. 85 kg
<b>COPY FUNCTIONS</b>		
2in1/4in1/8in1		yes
AMS/APS		yes
Book copy		yes
Booklet creation		yes
Chapter insertion		yes
Continuous number stamping		yes
Cover mode		yes
X/Y independent zoom		yes
Distribution numbering		yes
Edge / Frame / Fold line erase		yes
Image insertion		yes
Image repeat		yes
Image shift		yes
Image rotation		yes
Program job		yes
Non-image area erase		yes
OHP interleaving		yes
Overlay		yes (UK-211 required)
Page insertion		yes
Positive-negative-mode		yes
Date stamp / Page stamp		yes / yes
Electronic print / Rotation print out / Criss-cross sorting		yes / yes / yes

## Product Guide ineo+ 258/308/368

---

Program memory	yes (30)
Proof copy	yes
Separate scanning	yes
Stamp	yes
Watermark	yes
Gloss copy	yes
Enlarge display	yes
Account track / Department control	Yes (1,000)
User authentication	yes
Copy protection	yes

## Product Guide ineo+ 258/308/368

<b>Printer specifications (ineo controller)</b>						
	ineo+ 658	ineo+ 558	ineo+ 458	ineo+ 368	ineo+ 308	ineo+ 258
<b>CPU</b>	1.2 GHz (ARM Coretex Dual Core)					
<b>PRINT SPEED</b>						
A4 crosswise mono/colour (simplex/duplex)				36 ppm	30 ppm	25 ppm
A3 mono/colour (simplex/duplex)				18 ppm	15 ppm	15 ppm
<b>PRINT RESOLUTION</b>	1800 x 600 dpi equivalent / 1200 x 1200 dpi					
<b>PDL</b>	PCL6 (Ver. 3.0) Emulation, PCL5e/c Emulation, PostScript 3 Emulation (3016), XPS Ver. 1.0					
<b>PRINT RAM</b>	2 GB (shared among all MFP functions)					
<b>PRINT HDD</b>	250 GB (shared among all MFP functions)					
<b>FONTS</b>						
PCL	80 x PCL AgfaMicro type					
PostScript3	137 x PS3: AgfaMicro typ					
<b>INTERFACES</b>						
10BaseT/100BaseT/1000 BaseT	yes (standard)					
USB 2.0	yes (standard)					
USB Host	yes (standard, for USB direct printing)					
<b>NETWORK PROTOCOLS</b>						
TCP/IP (IPv4, IPv6)	yes					
IPX/SPX (ND support)	yes					
SMB (NetBEUI)	yes					
LPD	yes					
IPP 1.1	yes					

## Product Guide ineo+ 258/308/368

---

	SNMP	yes
	HTTP	yes
<b>SUPPORTED OS</b>		
	Windows Vista (32/64)	yes
	Windows 7 (32/64)	yes
	Windows 8/8.1 (32/64)	yes
	Windows Server 2003 (32/64)	yes
	Windows Server 2008 (32/64)	yes
	Windows Server 2008 R2 (64)	yes
	Windows Server 2012/R2 (64)	yes
	Macintosh OS X 10.x	Yes (Mac OS 10.6 or later)
	Unix	yes
	Linux	yes
	Citrix	yes
	SAP	yes
	AS/400	yes
<b>PRINT FUNCTIONS</b>		
	Booklet creation	yes
	Chapter insertion	yes
	Continuous number stamping	yes
	Cover mode	yes
	Date stamp	Yes (UK-211 required if Webbrowser/IWS is switched ON)
	Distribution numbering	yes
	Edge / Frame erase	yes
	Image insertion	yes

## Product Guide ineo+ 258/308/368

---

Image repeat	yes (2 repeats)
Image shift	yes
Image rotation	yes
Job accounting	yes
Non-image area erase	yes
OHP interleaving	yes
Overlay	Yes (UK-211 required)
Page insertion	yes
Page stamp	Yes (UK-211 required if Webbrowser/IWS is switched ON)
Proof print	yes
Stamp	Yes (UK-211 required if Webbrowser/IWS is switched ON)
Watermark	Yes (UK-211 required if Webbrowser/IWS is switched ON)
Mixplex	yes
Tab print	no
Tandem print	no
N-up	yes (2, 4, 6, 9, 16)
Finishing	Sorting, stapling, punching, folding
<b>Mobile Printing</b>	
Airprint (iOS)	Yes
Mopria (Android)	Yes
Google Cloud Print (optional)	Yes
WiFi direct (optional)	Yes
Print Service (Android)	Yes
ineo Mobile (iOS and Android)	Yes
NFC Authentication (Android)	Yes

## Product Guide ineo+ 258/308/368

---

<b>Printer specifications (Fiery controller IC-416)</b>	
<b>HARDWARE</b>	
Type	Embedded
CPU	Intel Pentium G850 (2.9 GHz)
Memory	2 GB
OS	Linux
Hard disk	500 GB
<b>INTERFACES</b>	
Ethernet	10BaseT/100BaseT/1000 BaseT (standard)
TokenRing	no
Parallel	no
USB	USB 2.0 (also utilised for firmware update)
<b>DRIVER</b>	
PostScript	Adobe PostScript 3 Ver. 3019
PCL	no (PCL interpreter implemented)
<b>SOFTWARE UTILITIES</b>	
Command WorkStation	yes (5.6)
WebTools	yes
Scan Retrieval	yes
Backup and Restore	yes
DocBuilder	yes
Scan Box Utility	yes
FreeForm	yes

## Product Guide ineo+ 258/308/368

---

Color Wise Pro Tools	yes (3.2, implemented in CWS)
TWAIN Scan	yes (5.4)
Remote Scan	yes (5.2)
Graphic Arts Light Features	yes (option), AutoTrapping, HotFolder
Color Profiler	yes (option)
Impose (Doc Builder Pro)	yes (option)
KM MIB	yes (Standard MIB III + KM printer MIB)
Remote Care	yes
Web Connection	yes (routed to MFP via second LAN connection)
<b>PROTOCOLS</b>	
Ethernet	yes
Apple Talk	yes
TCP/IP (IPv4, IPv6)	yes
HTTP / HTTPS	yes
SSL/TSL for HTTPS	yes
SMB	yes
Port 9100 (bi-directional)	yes
IPP	yes
LDAP	yes
SNMP V3	yes
<b>SUPPORTED OS</b>	
Windows XP (32/64)	no
Windows Vista (32/64)	yes
Windows 7 (32/64)	yes
Windows 8 (32/64)	yes



## Product Guide ineo+ 258/308/368

---

Windows Server 2003 (32/64)	yes
Windows Server 2008 (32/64)	yes
Windows Server 2008 R2 (64)	yes
Windows Server 2012 (64)	yes
Macintosh OS X 10.x	yes
Unix	yes
Linux	yes
<b>PRINT FUNCTIONS</b>	
Load balancing	yes
Archiving	yes
Rip while print	yes
Fast reprint	yes
Mixed media	yes
Accounting	yes
Group printing	yes
Secure printing	yes
<b>OTHERS</b>	
Spot-on	standard (V2)
Auto trap	option
Hot folder	option
Secure erase	option

## Product Guide ineo+ 258/308/368

<b>Scanner specifications</b>	
<b>SCAN FUNCTIONS</b>	
Scan-to-eMail	yes
Scan-to-Me	yes
Scan-to-SMB	yes
Scan-to-Home	yes
Scan-to-FTP	yes
Scan-to-Box	yes
Scan-to-USB	yes
Scan-to-WebDAV	yes
Scan-to-DPWS	yes
Network TWAIN scan	yes
<b>SCAN SPEED</b>	Up to 160 ipm (with optional dualscan feeder DF-704)
<b>MAX. SCAN ORIGINAL SIZE</b>	A3
<b>SCAN RESOLUTION</b>	Push: 200x200 / 300x300 / 400x400 / 600x600 dpi Pull: 100x100 / 200x200 / 300x300 / 400x400 / 600x600 dpi
<b>SCAN FORMAT</b>	TIFF, PDF, Compact PDF, JPEG, XPS, Compact XPS, PPTx, Searchable PDF, Searchable PPTX, Searchable PDF/A 1a & 1b, Encrypted PDF, Linearised PDF UK-211 required for Searchable/outline/Encrypted PDF and PDF/A UK-211 is required for PPTX as soon as IWS is turned ON
<b>PROTOCOLS</b>	TCP/IP (FTP, SMB, SMTP)
<b>SUPPORTED OS</b>	
Windows Vista (32/64)	yes
Windows 7 (32/64)	yes
Windows 8 (32/64)	yes
<b>SEPARATE SCAN COUNTER</b>	yes
<b>SCANNER DRIVER</b>	Network TWAIN driver, HDD TWAIN driver
<b>FURTHER SCAN FEATURES</b>	Multi-method send, authentication at the time of email send (SMTP authentication, POP before SMTP), S/MIME, annotation

## Product Guide ineo+ 258/308/368

---

<b>Fax specifications</b>	
<b>GENERAL INFORMATION</b>	
Communication	Super G3
Compatible lines	Public switch telephone network, Private branch exchange, Fax communication line
Max. modem speed	2.4 - 33,6 kbps
Compression	MH, MR, MMR, JBIG
Sending paper size	Max. A3 (long length support: max. 1,000 mm)
Recording paper size	Max. A3 (long length support: max. 1,000 mm)
Transmission speed	Less than 2 sec. (A4, V.34, 33.6 kbps, JBIG)
Memory	Shared among all MFP functions
Number of abbr. dials	2,000
Number of program dials	400
Number of group dials	100
Sequential multiple station transmission	Max. 600

## Product Guide ineo+ 258/308/368

---

<b>i-Fax specifications</b>	
<b>GENERAL INFORMATION</b>	
Colour capability	Supports colour i-Fax
Communication protocol	Transmission: SMTP Receiving: POP3, TCP/IP
Communication mode	Full mode
Original size	A3, B4, A4
Recording size	Max. A3 (max. long size original: 1,000 mm with ADF)
Interface	Ethernet 10Base-T/100Base-T/1000Base-T
Resolution	200x100 / 200x200 / 400x400 / 600x600 dpi
Format	Transmission: TIFF-S Receiving: TIFF-F Colour/Grey scale: TIFF (RFC3949 Profile-C)

<b>IP-Fax specifications</b>	
<b>GENERAL INFORMATION</b>	
Protocol transmission	SMTP
Encoding system	MH, MR, MMR, JPEG
Sending paper size	Max. A3 (max. long size original: 1,000 mm with ADF)
Recording paper size	Max. A3
Interface	Ethernet 10Base-T/100Base-T/1000Base-T
Format	Transmission: TIFF-S Receiving: TIFF-F Colour/Grey scale: TIFF (RFC3949 Profile-C)
Remark	Optional fax kit FK-514 is required to utilise IP Address Fax

## Product Guide ineo+ 258/308/368

<b>Consumables</b>	
<b>TONER BLACK</b>	
Name	TN324K (ineo+ 258/308/368)
Concept	Bottle system
Weight	579 g
Yield R&D	28k (5% coverage)
Standard Field Yield	Info not yet available
Units per box	1 bottle
<b>TONER COLOUR (CMY)</b>	
Name	TN324C/M/Y (ineo+ 258/308/368)
Concept	Bottle system
Weight	Y: 562 g CM: 549 g
Yield R&D	26k (5% coverage)
Standard Field Yield	Info not yet available
Units per box	1 bottle
<b>DRUM UNIT BLACK</b>	
Name	DR313K (ineo+ 258/308/368)
Yield R&D	90k (ineo+ 258) [3 pages/job] 120k (ineo+ 308) [3 pages/job] 120k (ineo+ 368) [4 pages/job]
Standard Field Yield	?k (ineo+ 258) [? pages/job] ?k (ineo+ 308) [? pages/job] ?k (ineo+ 368) [? pages/job]
Units per box	1
<b>DRUM UNIT COLOUR (CMY)</b>	
Name	DR313 (ineo+ 258/308/368)
Yield R&D	55k (ineo+ 258) [3 pages/job] 75k (ineo+ 308) [3 pages/job] 90k (ineo+ 368) [4 pages/job]
Standard Field Yield	?k (ineo+ 258) [? pages/job] ?k (ineo+ 308) [? pages/job] ?k (ineo+ 368) [? pages/job]
Units per box	1

## Product Guide ineo+ 258/308/368

---

<b>DEVELOPER BLACK</b>	
Name	DV313K (ineo+ 258/308/368)
Yield R&D	600k
Standard Field Yield	Info not yet available
Units per box	1
<b>DEVELOPER COLOUR (CMY)</b>	
Name	DV313C/M/Y (ineo+ 258/308/368)
Yield R&D	600k
Standard Field Yield	Info not yet available
Units per box	1
<b>STAPLE CARTRIDGE</b>	
Name	SK-602
Compatible finisher / saddle kit unit	FS-533/FS-534/FS-534SD
Quantity per sales unit	3 cartridges – 5,000 staples each
<b>WASTE TONER BOX</b>	
Name	WX-103
Yield	40k

## Product Guide ineo+ 258/308/368

<b>Article numbers and compatibility</b>		
<b>Machine</b>	<b>Article number</b>	<b>Compatibility</b>
ineo+ 258	A7R0121 *new	---
ineo+ 308	A7PY121 *new	---
ineo+ 368	A7PU121 *new	---
<b>Accessories</b>	<b>Article number</b>	<b>Compatibility</b>
<b>DF-629</b> Duplex type automatic document feeder	A87RWY1 *new	ineo+ 258/308/368
<b>DF-704</b> Dual scan document feeder	A85GWY1 *new	ineo+ 258/308/368
<b>OC-511</b> Original cover	9967002050	ineo+ 258/308/368 ineo+ 224e/C284e/C364e ineo+ 224/C284/C364
<b>PC-110</b> 500-sheet paper feed cassette	A2XMWY7	ineo+ 258/308/368 ineo+ 224e/C284e/C364e
<b>PC-210</b> 2x500-sheet paper feed cassettes	A2XMWY8	ineo+ 258/308/368 ineo+ 224e/C284e/C364e
<b>PC-410</b> 2,500-sheet large capacity cassette	A2XMWY9	ineo+ 258/308/368 ineo+ 224e/C284e/C364e
<b>LU-302</b> Large capacity tray	A87VWY1	ineo+ 258/308/368
<b>DK-510</b> Copy desk	9967003545	ineo+ 258/308/368 ineo+ 224e/C284e/C364e/C454e/C554e ineo+ 224/C284/C364/C454/C554
<b>FS-533</b> Inner finisher	A2YUWY2	ineo+ 258/308/368 ineo+ 224e/C284e/C364e/C454e/C554e ineo+ 224/C284/C364/C454/C554
<b>PK-519</b> Punch kit (European version)	A3EUW22	FS-533
<b>PK-519</b> Punch kit (Swedish version)	A3EUWG1	FS-533
<b>FS-534</b> 50-sheet staple finisher	A3EPWY2	ineo+ 258/308/368 ineo+ 224e/C284e/C364e/C454e/C554e ineo+ 224/C284/C364/C454/C554 [and other MFP series]
<b>FS-534SD</b> booklet finisher	A3EPWCY	ineo+ 258/308/368 ineo+ 224e/C284e/C364e/C454e/C554e ineo+ 224/C284/C364/C454/C554 [and other MFP series]
<b>RU-513</b> Relay unit for FS-534/SD	A87JWY1 *new	FS-534/FS-534SD
<b>PK-520</b> Punch kit (European version)	A3ETW21	FS-534
<b>PK-520</b> Punch kit (Swedish version)	A3ETWG1	FS-534

## Product Guide ineo+ 258/308/368

---

<b>JS-506</b> Inner job separator	A2YVWY2	ineo+ 258/308/368 ineo+ 224e/284e/364e/454e/554e ineo+ 224/284/364/454/554
<b>KP-101</b> 10-key-pad	A64TWY3	ineo+ 258/308/368 ineo+ 224e/284e/364e/454e/554e ineo+ 654/754
<b>WT-506</b> Working table	A0W4WY3	ineo+ 258/308/368 ineo+ 224e/284e/364e/454e/554e ineo+ 224/284/364/454/554 [and other MFP series]
<b>FK-514</b> Fax board	A883021 *new	ineo+ 258/308/368
<b>IC-416</b> Fiery Image Controller	A8CTWY1 *new	ineo+ 258/308/368
<b>VI-508</b> Video interface kit	A887WY1 *new	ineo+ 258/308/368
<b>KH-102</b> Keyboard holder	A4NRWY1	ineo+ 258/308/368 ineo+ 224e/284e/364e/454e/554e ineo+ 224/284/364/454/554 [and other MFP series]
<b>EK-608</b> USB host board	A88AWY1 *new	ineo+ 258/308/368
<b>EK-609</b> USB host board + Bluetooth	A87DWY1 *new	ineo+ 258/308/368
<b>MK-735</b> Mount kit for IC card reader	A4NMWY1	ineo+ 258/308/368 ineo+ 224e/284e/364e/454e/554e ineo+ 224/284/364/454/554 [and other MFP series]
<b>AU-102</b> Biometric authentication	A0X9WY1	ineo+ 258/308/368 ineo+ 224e/284e/364e/454e/554e ineo+ 224/284/364/454/554 [and other MFP series]
<b>SC-508</b> Security kit	A4MMWY2	ineo+ 258/308/368 ineo+ 224e/284e/364e/454e/554e ineo+ 224/284/364/454/554 [and other MFP series]
<b>BT-C1e</b> Banner tray	9967001961	ineo+ 258/308/368 ineo+ 224e/284e/364e/454e/554e ineo+ 224/284/364/454/554 [and other MFP series]
<b>HD-524</b> Hard Disk Mirroring	A4NMWY1 *new	ineo+ 258/308/368
<b>UK-211</b> upgrade memory	9967004026 *new	ineo+ 258/308/368
<b>LK-102v3</b> i-Option licence	A0PDW26	ineo+ 258/308/368 ineo+ 224e/284e/364e/454e/554e ineo+ 224/284/364/454/554 [and other MFP series]
<b>LK-105v4</b> i-Option licence	A0PDW28	ineo+ 258/308/368 ineo+ 224e/284e/364e/454e/554e ineo+ 224/284/364/454/554 [and other MFP series]
<b>LK-106</b> i-Option licence	A0PW029	ineo+ 258/308/368 ineo+ 224e/284e/364e/454e/554e ineo+ 224/284/364/454/554 [and other MFP series]



## Product Guide ineo+ 258/308/368

<b>LK-107</b> i-Option licence	A0PDW2F	ineo+ 258/308/368 ineo+ 224e/C284e/C364e/C454e/C554e ineo+ 224/C284/C364/C454/C554 [and other MFP series]
<b>LK-108</b> i-Option licence	A0PDW2G	ineo+ 258/308/368 ineo+ 224e/C284e/C364e/C454e/C554e ineo+ 224/C284/C364/C454/C554 [and other MFP series]
<b>LK-110v2</b> i-Option licence	A0PDW2U *new	ineo+ 258/308/368 ineo+ 224e/C284e/C364e/C454e/C554e
<b>LK-111</b> i-Option licence	A0PDW2K	ineo+ 258/308/368 ineo+ 224e/C284e/C364e/C454e/C554e
<b>LK-115v2</b> i-Option licence	A0PDW2V *new	ineo+ 258/308/368 ineo+ 224e/C284e/C364e/C454e/C554e
<b>UK-212</b> Wireless LAN Access Point	A87EWY1 *new	ineo+ 258/308/368
<b>SX-BR-4600</b> Wireless LAN	9967002640	ineo+ 258/308/368 ineo+ 224e/C284e/C364e/C454e/C554e [and other MFP series]
<b>SP-501</b> Stamp unit	4614506	ineo+ 258/308/368 ineo+ 224e/C284e/C364e/C454e/C554e ineo+ 224/C284/C364/C454/C554 [and other MFP series]
<b>Consumables</b>	<b>Article number</b>	<b>Compatibility</b>
<b>TN324K</b> Toner	A8DA1D0	ineo+ 258/308/368
<b>TN324C</b> Toner	A8DA4D0	ineo+ 258/308/368
<b>TN324M</b> Toner	A8DA3D0	ineo+ 258/308/368
<b>TN324Y</b> Toner	A8DA2D0	ineo+ 258/308/368
<b>DR313K</b> Drum unit	A7U41RH	ineo+ 258/308/368
<b>DR313C/M/Y</b> Drum unit	A7U41TH	ineo+ 258/308/368
<b>DV313K</b> Developer unit	A7U413H	ineo+ 258/308/368
<b>DV313C</b> Developer unit	A7U41KH	ineo+ 258/308/368
<b>DV313M</b> Developer unit	A7U41EH	ineo+ 258/308/368
<b>DV313Y</b> Developer unit	A7U418H	ineo+ 258/308/368
<b>WX-103</b> Waste toner box	A4NNWY1	ineo+ 258/308/368 ineo+ 224e/C284e/C364e/C454e/C554e
<b>SK-602</b> Staple cartridge	14YK	FS-533/FS-534/SD-511/SD-512 [and other finishers]
Spare TX marker stamp 2	4614511	ineo+ 258/308/368 ineo+ 224e/C284e/C364e/C454e/C554e ineo+ 224/C284/C364/C454/C554 [and other MFP series]
Key Counter Mount Kit 1	4623485	ineo+ 258/308/368 ineo+ 224e/C284e/C364e/C454e/C554e ineo+ 224/C284/C364/C454/C554 [and other MFP series]

## Product Guide ineo+ 258/308/368

---

Documentation	
Face sheets	Article number
en	9969036800
de	9969036801
fr	9969036802
es	9969036803
it	9969036804
pt	9969036805
nl	9969036806
da	9969036807
sv	n/a
no	9969036809
fi	9969036810
el	9969036811
tr	9969036813
cs	9969036815
hu	9969036818
pl	9969036821
ro	9969036822
ru	9969036823
sk	9969036824

## Product Guide ineo+ 258/308/368

---

Legal Required Information (LRI)	Article numbers & Availability	
	ineo+ 308/368/(258 later)	ineo+ 458/558/658
en	<a href="#">4821036800 (4821036900)</a>	Info not yet available
de	<a href="#">4821036801 (4821036901)</a>	Info not yet available
fr	<a href="#">4821036802 (4821036902)</a>	Info not yet available
es	<a href="#">4821036803 (4821036903)</a>	Info not yet available
it	<a href="#">4821036804 (4821036904)</a>	Info not yet available
pt	<a href="#">4821036805 (4821036905)</a>	Info not yet available
nl	<a href="#">4821036806 (4821036906)</a>	Info not yet available
da	<a href="#">4821036807 (4821036907)</a>	Info not yet available
sv	n/a	n/a
no	<a href="#">4821036809 (4821036909)</a>	Info not yet available
fi	<a href="#">4821036810 (4821036910)</a>	Info not yet available
el	<a href="#">4821036811 (4821036911)</a>	Info not yet available
tr	<a href="#">4821036813 (4821036913)</a>	Info not yet available
cs	<a href="#">4821036815 (4821036915)</a>	Info not yet available
hu	<a href="#">4821036818 (4821036918)</a>	Info not yet available
pl	<a href="#">4821036821 (4821036921)</a>	Info not yet available
ro	<a href="#">4821036822(4821036922)</a>	Info not yet available
ru	<a href="#">4821036823 (4821036923)</a>	Info not yet available
sk	<a href="#">4821036824 (4821036924)</a>	Info not yet available
<b>Driver DVD</b>	<b>Contents</b>	✓
en	User Guides: - Advances functions - Box operations - Copy operations - Fax driver operations - Network administration - Network scan/Fax/Network fax operations - Print operations	Driver DVD incl. manuals is packed to the LRI.
de		
fr		
it		
es		
nl		

## Product Guide ineo+ 258/308/368

---

User's Guide Online	Availability
en	✓
de	✓
fr	✓
es	✓
it	✓

## Product Guide ineo+ 258/308/368

Recommended media		
	Remark	Article number
<b>PAPER</b>		
Konica Minolta Color + (Konica Minolta branded)	A4, 90 gsm	9966131000
Konica Minolta Color + (Konica Minolta branded)	A3, 90 gsm	9966130000
Konica Minolta Original (Konica Minolta branded)	A4, 80 gsm	9960612000
Konica Minolta Original (Konica Minolta branded)	A3, 80 gsm	9960612100
Color Copy	Mondi, A4/A3+/SRA3, 100/120/160/200/220/250/280/ 300 gsm	---
Color Copy Style	Mondi, A4/A3/SRA3, 100/120/160/200 gsm	---
Banner paper	Mondi Color Copy, 297 x 1,200 mm, 160 gsm (100 sheets)	9967000224
Banner paper	Mondi Color Copy, 297 x 1,200 mm, 160 gsm, (250 sheets)	9967000189
Vision Classic White 70 (RCC-80)	Steinbeis, A4/A3, 80 gsm	---
NAUTILUS	Mondi, A4/A3, 80 gsm	---
NAUTILUS Super White	Mondi, A4/A3, 80 gsm	---
BIO TOP 3 extra	Mondi, A4/A3, 80 gsm	---
<b>DEVIDER CARDS (TAB SHEETS)</b>		
Divider Cards (Tab Sheets)	223 x 297 mm, 160 gsm (50 sets - 5 pages per set)	9967700223
<b>OHP FILMS</b>		
OHP A4 (Colour & BW)	A4, for B/W only Recommendation : Folex X-475 OHP Recommendation : 3M PP2500 OHP	
<b>ENVELOPES</b>		
Bong (DL)	Bong TopStar, DL format, (110x220mm),100gsm No window, peel and seal flap Bong P/N 3003780 www.bong.com/www.igepa.com (Recommended under normal temperature/humidity condition)	---
ELCO (C6)	ELCO premium, DIN C6 (114x162 mm), 100 gsm, No window, gummed flap ELCO P/N 30189 www.elcoswitzerland.ch	---

## Product Guide ineo+ 258/308/368

---

### Appendix

#### Finisher accessories & combination

Finisher	Accessories
Finisher <b>FS-533</b>	PK-519
Finisher <b>FS-534/FS-534SD</b>	PK-520

#### Overview finisher functionality

Functionality	FS-533	FS-534	FS-534SD
Capacity (80 gsm)	500 sheets	3,300 sheets	3,300 sheets
Min./Max. paper weight	52/300 gsm	52/300 gsm	52/300 gsm
Staple mode	Corner front/back, centre 2 points	Corner front/back, centre 2 points, saddle	Corner front/back, centre 2 points, saddle, booklet
Staple capacity	50 sheets	50 sheets	50 sheets
Max. Stapled sets capacity (A4)	---	100 sets	100 sets
Saddle stitch	---	no	yes
A3 size 10 sheet saddle stitched booklet capacity	---	10 sets	10 sets
Hole punching	yes (with PK-519)	yes (with PK-520)	yes (with PK-520)
Half-fold	no	no	yes
Z-fold	no	no	no
Tri-fold	no	no	yes
Post insertion	no	no	no

## Product Guide ineo+ 258/308/368

---

<b>Paper weights and sizes to be used</b>			
<b>Source</b>	<b>Capacity (80 gsm)</b>	<b>Size</b>	<b>Weight (gsm)</b>
Tray 1	500 sheets	A5 – A3	52 - 256
Tray 2	500 sheets	A5 – SRA3	52 – 256
Bypass	150 sheets	A6 – SRA3, Banner (297x1,200 mm)	60 – 300 (Banner 127 – 210)
Duplex	N/A	A5 – SRA3	52 - 256
PC-110	500 sheets	A5 – A3	52 - 256
PC-210	2x500 sheets	A5 – A3	52 - 256
PC-410	2,500 sheets	A4	52 - 256
LU-302	3,000 sheets	A4	52 - 256

## Product Guide ineo+ 258/308/368

---

Applications	
HDD Twain Driver	yes
Real Time Mode TWAIN Driver	yes
Direct Print	yes
Box Operator	yes
Print Status Notifier	yes
Data Administrator	yes
HDD Backup Utility	yes
Copy Protection Utility	yes
Font Management Utility	yes
Log Management Utility	yes
Download Manager	yes
Driver Packaging Utility	yes
Print Utility for UNIX	yes
Remote Care	yes
Remote Panel	yes
Alternative panel on Android platform	yes
Panel Customization Tool	yes
License Install Utility	yes
Net Care Device Manager	yes
Device Plug-In for Enterprise Suite	yes
Authentication Manager	yes
Account Manager	yes
My Panel Manager	yes
My Print Manager	yes



## Product Guide ineo+ 258/308/368

---

<b>What is delivered with the machine?</b>						
	<b>ineo+ 258</b>	<b>ineo+ 308</b>	<b>ineo+ 368</b>	<b>ineo+ 458</b>	<b>ineo+ 558</b>	<b>ineo+ 658</b>
Document feeder	no (optional)					
Drum unit	yes (4 units)					
Developer unit	yes (4 units)					
Toner	no					
Original cover	no (optional)					
Copy tray / Output tray	yes (standard)					
Legal Required Information (LRI)	yes					
Face sheets	yes					
Manual / Driver DVD	yes					

## Product Guide ineo+ 258/308/368

<b>IWS limitations</b>			
	<b>WB/IWS OFF</b> 2 GB + HDD	<b>WB /IWS ON</b> 2 GB + HDD	<b>WB/IWS OFF/ON</b> 2 GB + HDD + opt. 2 GB (UK-211)
<b>COPY / PRINT FUNCTIONS</b>			
Stamp print, watermark, overlay	Yes	No	Yes
Text print (date, page), copy protect print	Yes	No	Yes
Registered Overlay	No	No	Yes
<b>SCAN FORMATS</b>			
XPS	Yes	No	Yes
Compact PDF	Yes	200,300dpi	Yes
Compact XPS	Yes	No	Yes
Searchable PDF	No	No	Yes (with i-Option)
Outline PDF	No	No	Yes (with i-Option)
Encrypted PDF	No	No	Yes (with i-Option)
PDF/A	No	No	Yes (with i-Option)
PPTX	Yes	No	Yes
Max file size	400 Mbyte	400 MByte	400 Mbyte
<b>SCAN FUNCTIONS</b>			
Sharing Address Book	No	No	Yes
Duplex Scan	Yes	Copy speed of Original with low compression rate (60% and over) is decreased 20%. (Ex. 30PPM → 24PPM)	Yes
<b>PERFORMANCE</b>			
Copy 1to1		Copy speed of Original with low compression rate (60% and over) is decreased 20%. (Ex. 30PPM → 24PPM)	
Copy: Original scanning via DS		Copy speed of Original with low compression rate (60% and over) is decreased 20%. (Ex. 30PPM → 24PPM)	
600 dpi scan		Original scanning decreasing compression rate with 600dpi: 80% : 17.1spm, Compression rate size: 50% : 18.6spm	



[www.develop.eu](http://www.develop.eu)

**Note!**

Since changes in technical features are the order of the day in the world of digital copiers and printing technology, please note that the technical data provided in this material was issued in July 2015. We reserve the right to make changes to the technical design. Specifications refer to maximum performance under standard conditions. No guarantee is provided in relation to any of the data supplied.

Your Develop Marketing